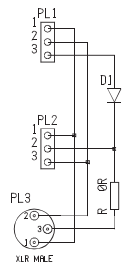
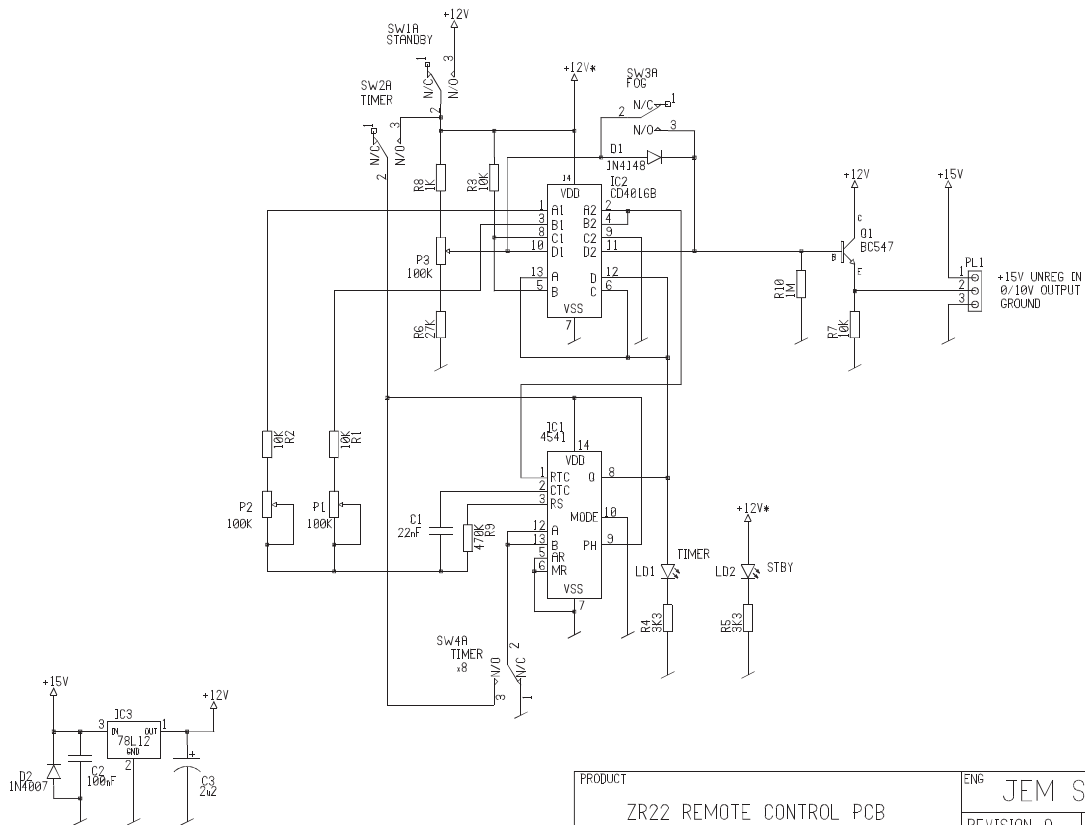


PRODUCT		ENG	
ZR22 MAIN PCB SCHEMATIC		Martin Professional A/S	
NAME	174002 SCH/103020B PCB	REVISION	A
		PAGE	1 OF 1
		DRAWN BY	NJS
		DATE	28/08/98
		TIME	13:31



PRODUCT		ZR22 INTERFACE PCB		ENG	JEM SMOKE PLC	
NAME		174003 SCH/37053A PCB		REVISION A	PAGE 1	OF 1
				DRAWN BY NJS		
				DATE 5/8/98	TIME 10 57	



PRODUCT		ENG	
ZR22 REMOTE CONTROL PCB		JEM SMOKE PLC	
REVISION	A	PAGE	1 OF 1
DRAWN BY NJS			
DATE	20/8/98	TIME	10:57